

WF-2024F1
 WF-2030F1

零件表PARTS LIST WF-2024F1 / WF-2030F1

圖號 NO.	編號 CODE	名稱	DESCRIPTION	Q'TY	圖號 NO.	編號 CODE	名稱	DESCRIPTION	Q'TY
01	B010123000	曲軸箱	CRANKCASE	1	08-1	B011023100	全密曲軸油封蓋	END COVER OIL SEAL COVER	1
01-2	B011901014	加油蓋組	OIL INLET COVER ASSY	1	09	BS16206016300	內六角螺絲	HEX SCREW	8
02	B010210010	柱塞油封	PISTON OIL SEAL	3	10	B021110113	迫緊上環	PACKING UPPER RING	3
03	B010823200	曲軸 (WF-2024F)	CRANKSHAFT (WF-2024F)	1	10-1	B021010210	防水油封	WATERPROOF OIL SEAL	3
	B010823400	曲軸 (WF-2030F)	CRANKSHAFT (WF-2030F)		10-2	B024010000	防水油封墊片	SPACER	3
03-1	B012109000	曲軸鍵	CRANKSHAFT KEY	1	10-3	BG10320036040	O形環	O-RING	3
04A	B010623001	連桿組	CONNECTING ROD ASSY	3	11	B020310260	U迫緊	U-PACKING	3
04	N/A	連桿	CONNECTING ROD	3	11-1	B020310410	U迫緊墊片	SPACER	3
04-1	BS11206030500	六角螺絲	SET BOLT	6	12	B031423801	汽缸後座	CYLINDER	1
04-2	BS31206501	平面華司	WASHER	6	12-1	BS16208050300	內六角螺絲	HEX SCREW	4
04-3	B014311000	螺絲防鬆片	LOCK WASHER	3	13	BG10220027040	O形環	O-RING	3
04A-1	B010523000	柱塞銷	PISTON PIN	3	15	B021323810	出水活門固定座	OUTLET VALVE SEAT	3
05A	B013023810	柱塞組	PISTON ASSY	3	16	BG10200025040	O形環	O-RING	9
05-3	B013223810	柱塞套	PISTON SLEEVE	3	17A	B040008032	活門組	VALVE ASSY	6
05-4	B013511110	柱塞套透氣墊圈	GASKET	3	17-1	B040223801	活門座	VALVE SEAT	6
05-5	B013510020	柱塞套平墊圈	GASKET	3	17-2	B040108001	活門塞	VALVE PLUG	6
05-6	B013123001	柱塞桿	PISTON ROD	3	17-3	BJ20202010	活門彈簧	VALVE SPRING	6
05-7	B013410020	柱塞套固定螺帽	PISTON SET NUT	3	17-4	B040313000	活門帽	VALVE CAGE	6
05-8	B013510002	柱塞套平墊圈	GASKET	3	17-5	B040813001	活門套	VALVE CAGE	6
05-9	BG10050009060	O形環	O-RING	6	18	BG10210026040	O形環	O-RING	3
05-10	BG30053008200	背托環	BACK-UP RING	3	19	B021323811	進水活門固定座	INLET VALVE SEAT	3
05-11	B013323010	柱塞套固定螺絲	PISTON SCREW	3	20	B020123801	汽缸前座	SUCTION CHAMBER	1
06	B010710010	軸承	BEARING	2	20-1	BS16210035300	內六角螺絲	HEX SCREW	6
07	B010910040	曲軸油封	CRANKSHAFT OIL SEAL	1	20-2	BS32210300	彈簧華司	SPRING WASHER	6
07-1	B010923100	全密曲軸油封	END COVER OIL SEAL	1	21	BS16208110300	內六角螺絲	HEX SCREW	4
08	B011023000	曲軸油封蓋	CRANKSHAFT OIL SEAL COVER	1	21-1	BS32208300	彈簧華司	SPRING WASHER	4

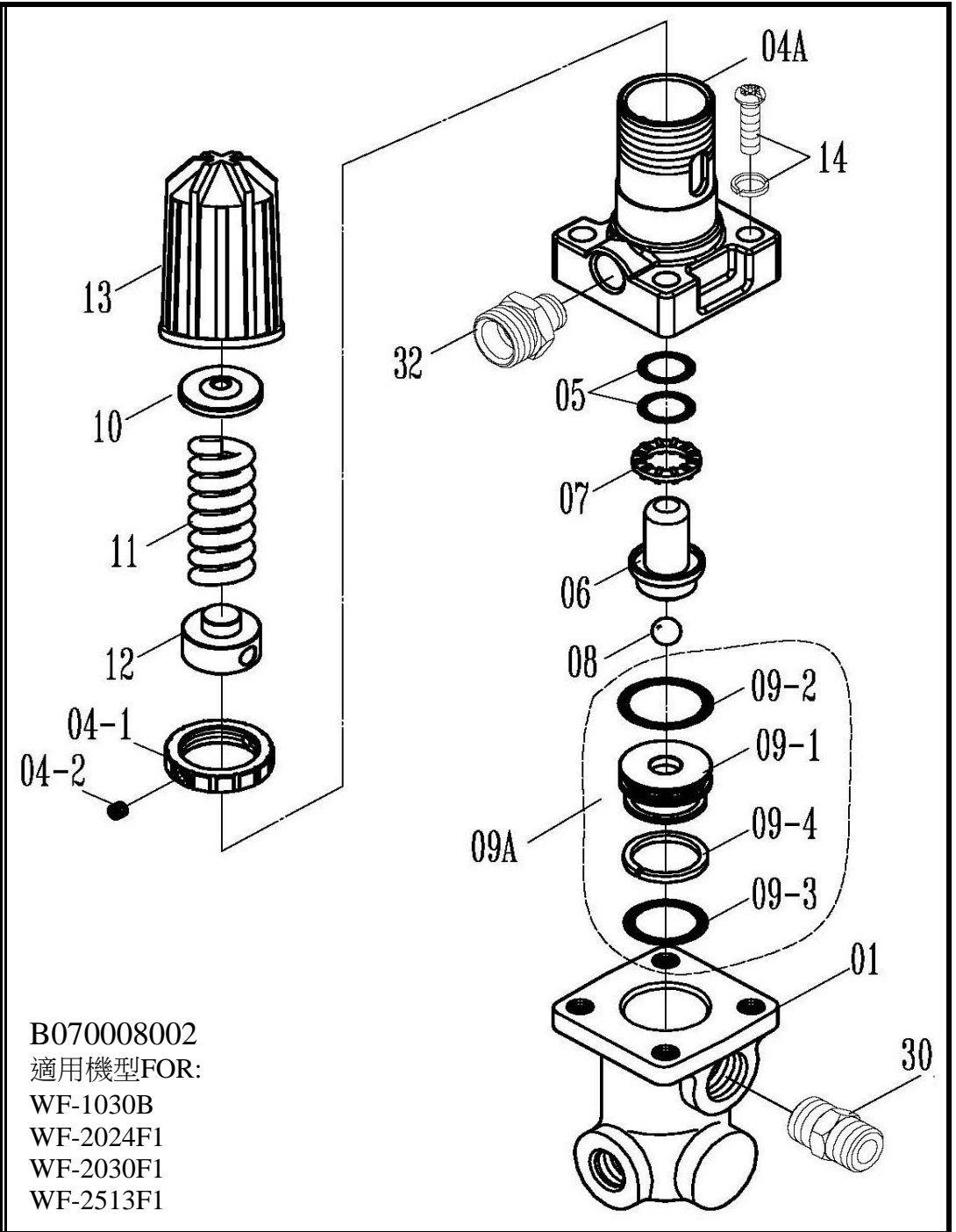
零件表PARTS LIST WF-2024F1 / WF-2030F1

圖號 NO.	編號 CODE	名稱	DESCRIPTION	Q'TY	
22	B011623000	曲軸箱後蓋	REAR COVER	1	
22-1	BG11012106500	O形環	REAR COVER PACKING	1	
23	B012201020	油鏡	OIL WINDOW	1	
23-1	BG10234028700	O形環	O-RING	1	
24	B011823000	排油螺絲	DRAINAGE SCREW	1	
24-1	BG10130019	O形環	O-RING	1	
25	BS16206016300	內六角螺絲	HEX SCREW	5	
25-1	BS32206300	彈簧華司	SPRING WASHER	5	
26	1S50016040	內六角油塞 PT1/2	PLUG PT1/2	1	
27	B031210000	壓力錶接頭	PRESSURE GAUGE COUPLING	1	
28	B071818010	進水接頭	INLET CONNECTOR	1	
29	B010302000	腳座	CRANKCASE STAND	2	
29-1	BS11210015222	六角螺絲附華司	SET BOLT W/ WASHER	4	
*30~32	B070008002	自動洩壓總成	UNLOADING VALVE ASSY	1	
33	B031110000	壓力錶	PRESSURE GAUGE	1	
ACC.	B150110003	吸水管組3/4"*10尺	SUCTION HOSE ASSY 3/4"*10FT	1	
ACC.	B150201001	迴水管組 1/2"*9尺	OVERFLOW HOSE ASSY 1/2"*9FT	1	
ACC.	BP21422240100	皮帶輪 8B2*24*8	PULLEY 8B2*24*8mm	1	
ACC.	BS11112032121	皮帶輪螺絲	PULLEY SET BOLT	1	
*30~32零件表及展開圖請參閱第4頁。			*30~32 parts list & diagram please refer to page 4.		
			2023.02V.		



零件表PARTS LIST 自動洩壓總成 B070008002 / UNLOADING VALVE ASSEMBLY

圖號 NO.	編號 CODE	名 稱	DESCRIPTION	Q'TY
01	B070109000	洩壓汽缸套	UNLOADING VALVE CYLINDER	1
04A	B070209000	迴水座	OVERFLOW CHAMBER	1
04-1	B071109051	固定環	SET RING	1
04-2	BS17106005300	無頭內六角螺絲	HEX SCREW	2
05	BG10108015640	O形環	O-RING	2
06	B070509000	壓力閥桿	PRESSURE VALVE ROD	1
07	B070909000	消音片	DAMPER PLATE	1
08	B070309000	陶瓷球閥	CERAMIC BALL VALVE	1
09A	B070409001	壓力閥座組	PRESSURE VALVE SEAT	1
09-1	B070409000	壓力閥座	PRESSURE VALVE SEAT	1
09-2	BG10200025020	O形環	O-RING	1
09-3	BG10170022020	O形環	O-RING	1
09-4	BG30183022310	背托環	BACK-UP RING	1
10	B071311000	彈簧上座	SPRING SEAT (UPPER)	1
11	BJ41101000	調壓彈簧	PRESSURE REGULATING SPRING	1
12	B071409001	彈簧下座	SPRING SEAT	1
13	B071709000	調壓螺帽	PRESSURE REGULATING KNOB	1
14	BS14108022100	圓頭螺絲	SCREW	4
	BS32108200	彈簧華司	SPRING WASHER	4
30	B071209000	出水接頭	OUTLET CONNECTOR	1
32	B051801110	迴水接頭	OVERFLOW COUPLING	1



2023.02V.