

WH-1540

零件表PARTS LIST WH-1540

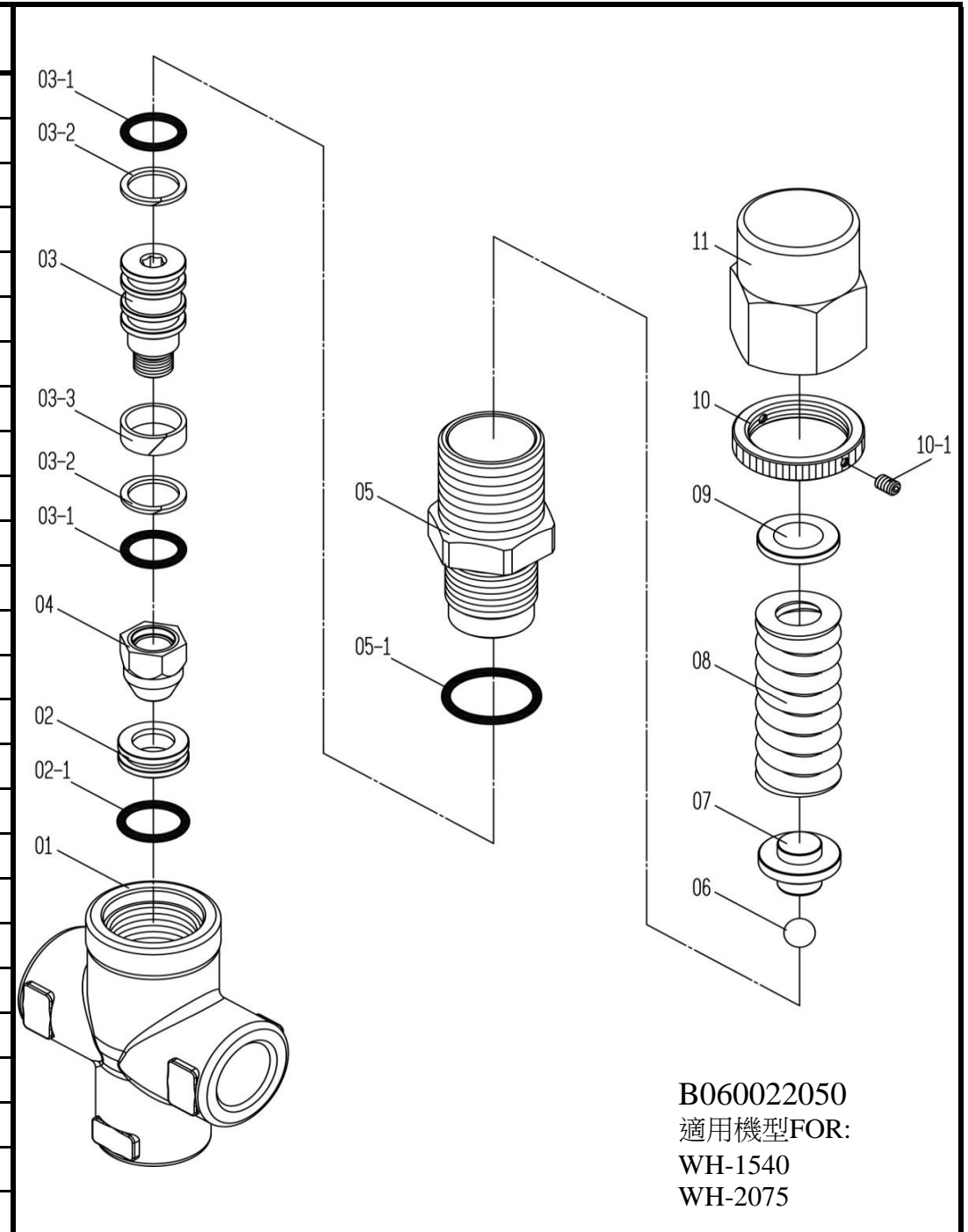
圖號 NO.	編號 CODE	名 稱	DESCRIPTION	Q'TY		圖號 NO.	編號 CODE	名 稱	DESCRIPTION	Q'TY	
01	B010118000	曲軸箱	CRANKCASE	1		08-3	BS32110300	彈簧華司	SPRING WASHER	1	
01-3	B012903000	汽缸銷	SET PIN	2		08-4	BS31208205	平面華司	WASHER	1	
02	B010218000	柱塞油封	PISTON OIL SEAL	3		09	B010918010	曲軸油封	CRANKSHAFT OIL SEAL	2	
03	B010303000	腳座	CRANKCASE STAND	2		10	B011003110	曲軸油封蓋	CRANKSHAFT OIL SEAL COVER	2	
03-1	BS11112016122	六角螺絲附華司	SET BOLT W/ WASHER	4		10-1	BS12108010100	大扁頭螺絲	SCREW	8	
04A	B013018001	柱塞組	PISTON ASSY	3		12	B011603311	曲軸箱後蓋	REAR COVER	1	
04-1	B013118000	柱塞桿	PISTON ROD	3		12-1	B012201020	油鏡	OIL WINDOW	1	
04-2	B013518000	柱塞套透氣墊圈	GASKET	3		12-2	BG10234028700	O形環	O-RING	1	
04-3	B013216000	柱塞套	CERAMIC PISTON SLEEVE	3		12-3	B011703000	後蓋迫緊	REAR COVER PACKING	1	
04-4	B013416000	柱塞套固定螺帽	SET NUT	3		12-4	BS12108016101	大扁頭螺絲	SCREW	7	
04-5	B013316000	柱塞套固定螺絲	PISTON SCREW	3		13	B011810000	排油螺絲	OIL DRAINAGE SCREW	1	
04-6	BG10110015020	O形環	O-RIN	3		13-1	BG10106017700	O形環	O-RING	1	
04-7	BG30112014900	背托環	BACK-UP RING	3		14A	B011901014	加油蓋組	OIL INLET COVER ASSY	1	
04-8	B013516000	柱塞套平墊圈	GASKE	3		15	B011102111	曲軸油封蓋 (套筒)	CRANKSHAFT OIL SEAL COVER (CONE)	1	
05	B010503110	柱塞銷	PISTON PIN	3		15-1	BG10280030	O形環	O-RING	1	
06A	B010618002	連桿組	CONNECTING ROD ASSY	3		21	B020118000	汽缸	CYLINDER	1	
06	N/A	連桿	CONNECTING ROD	3		21-1	BS15116060300	雙頭牙螺絲	DOUBLE-END SCREW	4	
06-1	BS11208035500	六角螺絲	SET BOLT	6		21-2	BS32116300	彈簧華司	SPRING WASHER	4	
06-2	BS31208500	平面華司	WASHER	6		21-3	BS21116300	六角螺帽	NUT	4	
06-3	B014318000	螺絲防鬆片	LOCK WASHER	3		21-4	BS16110038300	內六角螺絲	HEX SCREW	2	
06-4	B014218000	引擎培林	ENGINE BEARING	3		21-5	BS32110300	彈簧華司	SPRING WASHER	2	
06-5	BS31208503	平面華司	WASHER	6		22	B023418000	U迫緊套筒	BUSHING	3	
07	B010703320	軸承	BEARING	2		23	B020308030	U迫緊	U-PACKING	6	
08	B010818010	曲軸	CRANKSHAFT	1		23-1	B023708000	U迫緊輔助圈	AUXILIARY RING	3	
08-1	B012109000	曲軸鍵	CRANKSHAFT KEY	1		24	B021218000	迫緊中間環	SPACER RING	3	
08-2	BS11110019100	六角螺絲	SET BOLT	1		25	B020518000	調整環	ADJUSTING RING	3	

零件表PARTS LIST WH-1540

圖號 NO.	編號 CODE	名 稱	DESCRIPTION	Q'TY	圖號 NO.	編號 CODE	名 稱	DESCRIPTION	Q'TY
25-1	BG10400046	O形環	O-RING	3	97-1	BS11112032121	皮帶輪螺絲	PULLEY SET BOLT	1
26	B021008000	防水油封	WATERPROOF OIL SEAL	3	99	1S50016040	內六角油塞 PT1/2	PLUG PT1/2	1
28	B011403000	防塵蓋	DUSTPROOF CAP	1	ACC.	B150103001	吸水管組 1-1/4"*10尺	SUCTION HOSE ASSY 1-1/4"*10 FT	1
30A	B040018001	進水活門組	INLET VALVE ASSY	3	ACC.	B150101001	吸水管組 3/4"*9尺	SUCTION HOSE ASSY 3/4"*9 FT	1
30-1	B040818000	進水活門體	INLET VALVE BODY	3	ACC.	B150603110	過濾網申目	FILTER SOCKET	1
30-2	BG10360043040	O形環	O-RING	3	ACC.	B150903110	過濾網	FILTER	1
30-3	BG30360041900	背托環	BACK-UP RING	3					
30-4	B040303010	活門帽	VALVE CAGE	3					
30-5	BJ20304000	活門彈簧	VALVE SPRING	3					
30-6	B040116000	活門塞	VALVE PLUG	3					
30-7	B040216000	活門座	VALVE SEAT	3					
30-8	BG10320036040	O形環	O-RING	3					
30-9	BG30328035900	背托環	BACK-UP RING	3					
31	B021318010	進水活門固定螺絲(無孔)	VALVE BOLT W/O HOLE	3					
31-1	BG10400046	O形環	O-RING	3					
32	B021716000	進水接頭	INLET CONNECTOR	1					
33A	B040018011	出水活門組	OUTLET VALVE ASSY	3					
33-1	B021318000	出水活門固定螺絲	VALVE BOLT	3					
33-2	BG30369042900	背托環	BACK-UP RING	3					
33-3	BG10360043040	O形環	O-RING	3					
51	B031109000	壓力錶	PRESSURE GAUGE	1					
52	B031218010	壓力錶接頭	PRESSURE GAUGE COUPLING	1					
61-2	B220300201	接頭	COUPLING	1					
*60A	B060022050	安全弁	SAFETY VALVE ASSY	1					
67-6	B023518000	安全弁接頭	SAFETY VALVE COUPLING	1	*60A零件表及展開圖請參閱第4頁。			*60A parts list & diagram please refer to page 4.	
97	BP21822240100	皮帶輪 10B2*24*8	PULLEY 10B2*24*8	1					

零件表PARTS LIST 自動洩壓總成 B060022050 / UNLOADING VALVE ASSEMBLY

圖號 NO.	編號 CODE	名稱	DESCRIPTION	Q'TY
01	B060122050	安全弁本體	SAFETY VALVE BODY	1
02	B060922050	壓力閥座	PRESSURE VALVE SEAT	1
02-1	BG10170022040	O形環	O-RING	1
03	B061022050	壓力閥桿	PRESSURE VALVE ROD	1
03-1	BG10150020040	O形環	O-RING	2
03-2	BG30156019900	背托環	BACK-UP RING	2
03-3	BG30169019900	閥桿耐磨環	VALVE ROD WEAR RING	1
04	B061222050	壓力閥套	PRESSURE VALVE SLEEVE	1
05	B062322050	安全弁接頭	SAFETY VALVE COUPLING	1
05-1	BG10250030300	O形環	O-RING	1
06	B310115120	鋼珠	SST BALL	1
07	B061422050	彈簧下座	SPRING SEAT (LOWER)	1
08	BJ42201000	調壓彈簧	PRESSURE REGULATING SPRING	1
09	B061322050	彈簧上座	SPRING SEAT (UPPER)	1
10	B062522050	固定環	SET RING	1
10-1	BS17204006300	無頭內六角螺絲	HEADLESS HEX SOCKET HEAD SCREW	2
11	B062422050	調壓螺帽	PRESSURE REGULATING KNOB	1



B060022050
適用機型FOR:
WH-1540
WH-2075