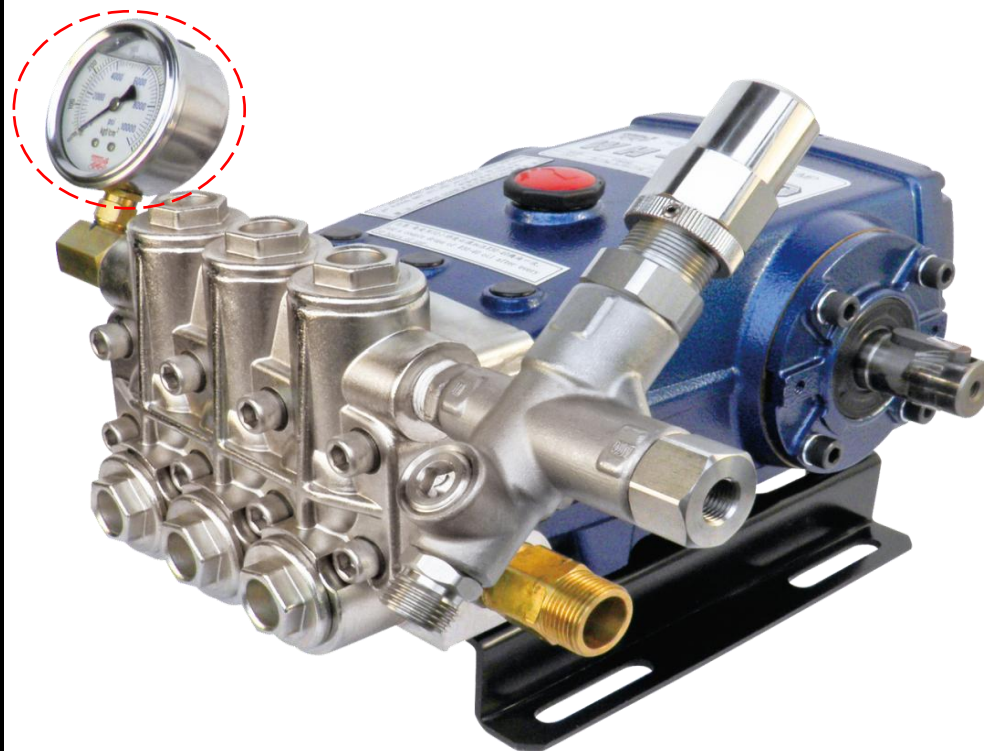


零件表PARTS LIST WB-2132F / WH-2132F

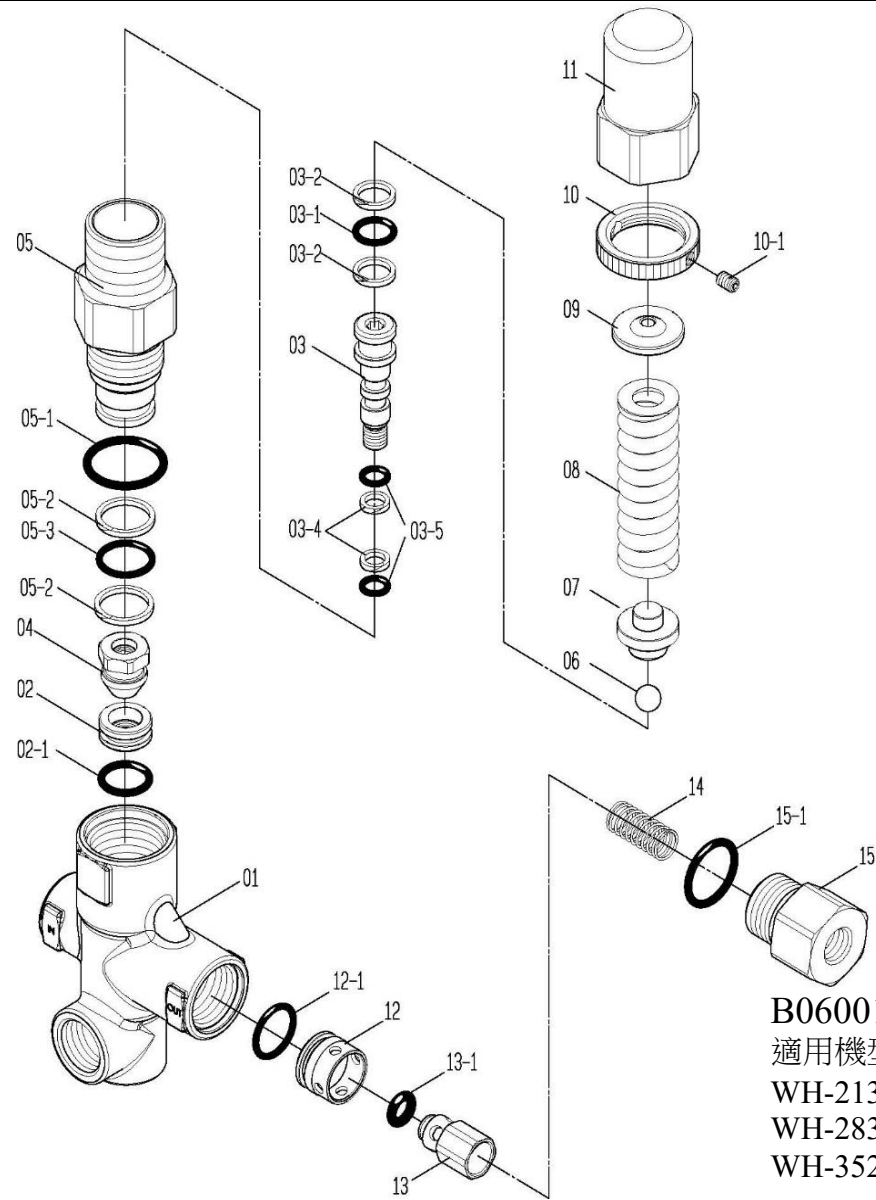
圖號 NO.	編號 CODE	名稱	DESCRIPTION	Q'TY		圖號 NO.	編號 CODE	名稱	DESCRIPTION	Q'TY	
01	B010124200	曲軸箱	CRANKCASE	1		10-1	BG10680073630	O形環	O-RING	2	
01-5	B012513000	柱塞軸套	PISTON SHAFT SLEEVE	3		10-2	B012612010	軸承蓋平墊圈	SHIM	2	
02	B010213001	柱塞油封	PISTON OIL SEAL	3		10-3	BS16208025300	內六角螺絲	SCREW	8	
03	B010312000	腳座	CRANKCASE STAND	2		10-4	BS32208300	彈簧華司	SPRING WASHER	8	
03-1	BS11210015222	六角螺絲附華司	SCREW W/ WASHER	4		12	B011613001	曲軸箱後蓋	REAR COVER	1	
04-1	B013113000	柱塞桿	PISTON ROD	3		12-1	B012201020	油鏡	OIL WINDOW	1	
04-2	B013513010	柱塞套透氣墊圈	GASKET	3		12-2	BG10234028700	O形環	O-RING	1	
04-3	B013213300	柱塞套	CERAMIC PISTON SLEEVE	3		12-3	B011712000	後蓋迫緊	REAR COVER PACKING	1	
04-4	B013517000	柱塞套平墊圈	GASKET	3		12-4	BS16206020300	內六角螺絲	SCREW	6	
04-5	B013313000	柱塞套固定螺絲	PISTON SET SCREW	3		12-5	BS32206300	彈簧華司	SPRING WASHER	6	
04-6	BG10070011010	O形環	O-RING	3		13	B011823000	排油螺絲	DRAINAGE SCREW	1	
04-7	BG30070010	背托環	BACK-UP RING	3		13-1	BG10130019	O形環	O-RING	1	
04-8	B013513310	柱塞擋水墊圈	GASKET	3		14	B011901014	加油蓋組	OIL INLET COVER ASSY	1	
05	B010512000	柱塞銷	PISTON PIN	3		15	B012405000	滴油孔蓋	DRIP CAP	3	
05-1	BS41013000	C扣環	C-CLIP	6		16A	B060019320	安全弁 (WH-2132F)	SAFETY VALVE ASSY (WH-2132F)	1	
06A	B010612001	連桿組	CONNECTING ROD ASSY	3		16B	B060019334030	安全弁 (WB-2132F)	SAFETY VALVE ASSY (WB-2132F)		
06	N/A	連桿	CONNECTING ROD	3		16-1	BS50016060	內六角塞頭 PT1/2	PLUG PT1/2	1	
06-1	BS11208040500	六角螺絲	SCREW	6		16-2	BG10138018620	O形環	O-RING	1	
06-2	BS31208503	平面華司	WASHER	6		16-3	B062819311	迴水接頭	OVERFLOW CONNECTOR	1	
06-3	B014312000	螺絲防鬆片	LOCK WASHER	3		21	B020113300	汽缸	MANIFOLD	1	
07	B010712000	軸承	BEARING	2		21-1	BS16210088300	汽缸固定螺絲	SCREW	8	
08	B010824008	曲軸	CRANKSHAFT	1		21-2	BS33210400	安全華司	SAFETY WASHER	8	
08-1	B012109000	曲軸鍵	CRANKSHAFT KEY	1		21-3	BK10701041	直接頭	CONNECTOR	1	
09	B010909020	曲軸油封	CRANKSHAFT OIL SEAL	1		22	B020324520	U迫緊 (咖)	U-PACKING (BROWN)	3	
09-1	B010924100	全密曲軸油封	END COVER OIL SEAL	1		22-1	B020324522	迫緊底座 (白)	PACKING SEAT (WHITE)	3	
10	B011112111	軸承油封蓋	CRANKSHAFT OIL SEAL COVER	2		23	B020324521	U迫緊墊片 (黑)	U-PACKING SPACEER (BLACK)	3	

零件表PARTS LIST WB-2132F / WH-2132F

圖號 NO.	編號 CODE	名稱	DESCRIPTION	Q'TY	
24	B021213300	迫緊中間環	U-PACKING SPACER RING	3	
25	B021113300	迫緊上環	PACKING UPPER RING	3	
25-1	BG10370041	O形環	O-RING	3	
26	B021024520	防水油封	WATERPROOF OIL SEAL	3	
30A	B040013001	活門組	VALVE ASSY	6	
30-1	B040813001	活門套	VALVE CAGE	6	
30-2	B040313000	活門帽	VALVE CAGE	6	
30-3	BJ21301000	活門彈簧	VALVE SPRING	6	
30-4	B040113000	活門塞	VALVE PLUG	6	
30-5	B040213000	活門座	VALVE SEAT	6	
30-6	BG10200025020	O形環	O-RING	6	
30-7	BG30211024700	背托環	BACK-UP RING	6	
31	B021313300	活門固定螺絲	VALVE SET BOLT	6	
31-1	BG30258031910	背托環	BACK-UP RING	6	
31-2	BG10250032030	O形環	O-RING	6	
32	BS50004000	六角塞頭 PT1/8	PLUG PT1/8	1	
33	B021723400	進水接頭	INLET CONNECTOR	1	
34	B031117010001	壓力錶(埋油)	PRESSURE GAUGE(BACK-ENTRY)	1	
35	B031222150	壓力錶接頭	PRESSURE GAUGE CONNECTOR	1	
36	BS50024001	內六角塞頭 PT3/4	PLUG PT3/4	1	
ACC.	B150201001	迴水管組 1/2"*9尺	OVERFLOW HOSE ASSY 1/2"*9FT	1	
ACC.	B150102004	吸水管組 1"*10尺	SUCTION HOSE ASSY 1"*10FT	1	
ACC.	B150623400	過濾網申目	FILTER SOCKET	1	
ACC.	B150903110	過濾網	FILTER	1	
*16A零件表及展開圖請參閱第4頁。			*16A parts list & diagram please refer to page 4.		
*16B零件表及展開圖(N/A)			*16B parts list & diagram (N/A)		



圖號 NO.	編號 CODE	名稱	DESCRIPTION	Q'TY	圖號 NO.	編號 CODE	名稱	DESCRIPTION	Q'TY
01	B060119310	安全弁本體	SAFETY VALVE BODY	1	15-1	BG10198024640	O形環	O-RING	1
02	B060919312	壓力閥座	SAFETY VALVE SEAT	1				2025.03V	
02-1	BG10140018540	O形環	O-RING	1					
03	B061019310	壓力閥桿	VALVE ROD	1					
03-1	BG10108014640	O形環	O-RING	1					
03-2	BG30111014300	背托環	BACKUP RING	2					
03-4	BG30070010010	背托環	BACKUP RING	2					
03-5	BG10068010640	O形環	O-RING	2					
04	B060819315	壓力閥	PRESSURE VALVE	1					
05	B062319310	安全弁接頭	SAFETY VALVE COUPLING	1					
05-1	BG10234028740	O形環	O-RING	1					
05-2	BG30168020010	背托環	BACKUP RING	2					
05-3	BG10160020040	O形環	O-RING	1					
06	B310115110	鋼珠	SST BALL	1					
07	B061419310	彈簧下座	SPRING SEAT	1					
08	BJ41901310	調壓彈簧	SPRING	1					
09	B071311000	彈簧上座	SPRING SEAT (UPPER)	1					
10	B062519310	固定環	SET RING	1					
10-1	BS17106005300	無頭內六角螺絲	HEX SCREW	2					
11	B062419310	調壓螺帽	PRESSURE REGULATING KNOB	1					
12	B062619316	出水閥套	VALVE SLEEVE	1					
12-1	BG10160020040	O形環	O-RING	1					
13	B062619326	出水閥座套	VALVE SEAT SLEEVE	1					
13-1	BG10065012140	O形環	O-RING	1					
14	BJ71901315	止水彈簧	SPRING	1					
15	B060619316	出水接頭	OUTLET COUPLING	1					



B060019320
適用機型FOR:
WH-2132F
WH-2830F
WH-3520F系列