

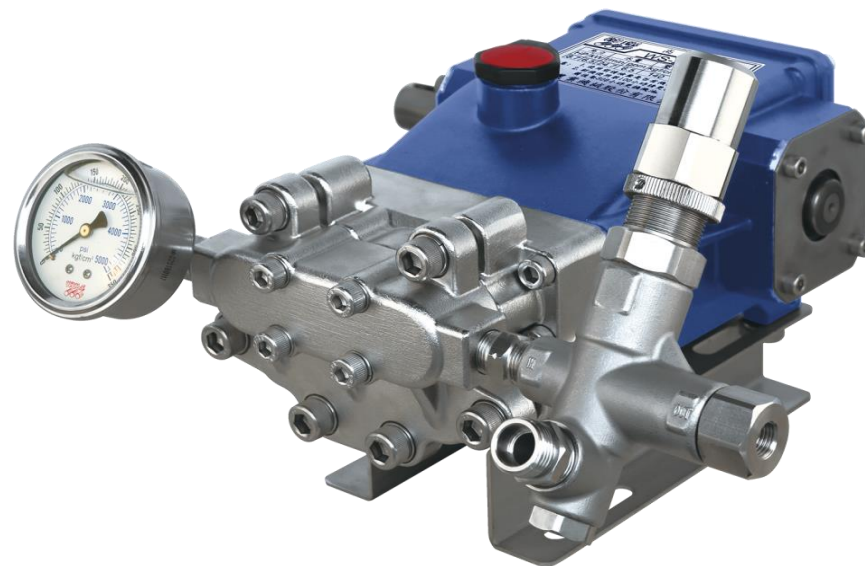
WS-2024F1
WS-2030F1

零件表PARTS LIST WS-2024F1 / WS-2030F1

圖號 NO.	編號 CODE	名稱	DESCRIPTION	Q'TY	圖號 NO.	編號 CODE	名稱	DESCRIPTION	Q'TY
01	B010123002	曲軸箱	CRANKCASE	1	08-1	B011023100	全密曲軸油封蓋	END COVER OIL SEAL COVER	1
01-2	B011901014	加油蓋組	OIL INLET COVER ASSY	1	09	BS16206016300	內六角螺絲	HEX SCREW	8
02	B010210010	柱塞油封	PISTON OIL SEAL	3	10	B021110115	迫緊上環	PACKING UPPER RING	3
03	B010823200	曲軸 WS-2024F1	CRANKSHAFT WS-2024F1	1	10-1	B021010212	防水油封	WATERPROOF OIL SEAL	3
	B010823400	曲軸 WS-2030F1	CRANKSHAFT WS-2030F1		10-2	B020210114	防水油封底座	WATERPROOF OIL SEAL SEAT	3
03-1	B012109000	曲軸鍵	CRANKSHAFT KEY	1	10-3	BG10314035040	O形環	O-RING	3
04A	B010623001	連桿組	CONNECTING ROD ASSY	3	10-4	B021210115	迫緊中間環	SPACER RING	3
04	N/A	連桿	CONNECTING ROD	3	11A	N/A	U迫緊組	U-PACKING SET	3
04-1	BS11206030500	六角螺絲	SET BOLT	6	11	B020310210	U迫緊	U-PACKING	3
04-2	BS31206501	平面華司	WASHER	6	11-1	B020310220	U迫緊墊片	U-PACKING GASKET	3
04-3	B014311000	螺絲防鬆片	LOCK WASHER	3	11-2	B020310230	U迫緊底座	U-PACKING SEAT	3
04A-1	B010523000	柱塞銷	PISTON PIN	3	12	B031423800010	汽缸後座	CYLINDER	1
05A	B013023811	柱塞組	PISTON ASSY	3	12-1	BS16208050300	內六角螺絲	HEX SCREW	4
05-3	B013223811	柱塞套	CERAMIC PISTON SLEEVE	3	13	BG10220027040	O形環	O-RING	3
05-4	B013511110	柱塞套透氣墊圈	GASKET	3	15	B021323800	出水活門固定座	OUTLET VALVE SEAT	3
05-5	B013510020	柱塞套平墊圈	GASKET	3	16	BG10200025040	O形環	O-RING	6
05-6	B013123001	柱塞桿	PISTON ROD	3	16-1	BG10200025040	O形環	O-RING	3
05-7	B013410020	柱塞套固定螺帽	PISTON SET NUT	3	17A	B040008031	活門組	VALVE ASSY	6
05-8	B013510002	柱塞套平墊圈	GASKET	3	17-1	B040223800	活門座	VALVE SEAT	6
05-9	BG10050009060	O形環	O-RING	6	17-2	B040108001	活門塞	VALVE PLUG	6
05-10	BG30053008200	背托環	BACK-UP RING	3	17-3	BJ20202010	活門彈簧	VALVE SPRING	6
05-11	B013323010	柱塞套固定螺絲	PISTON SCREW	3	17-4	B040313000	活門帽	VALVE CAGE	6
06	B010710000	軸承	BEARING 6305 KOYO	2	17-5	B040813001	活門套	VALVE CAGE	6
07	B010910040	曲軸油封	CRANKSHAFT OIL SEAL	1	18	BG10210026040	O形環	O-RING	3
07-1	B010923100	全密曲軸油封	END COVER OIL SEAL	1	19	B021323801	進水活門固定座	INLET VALVE SEAT	3
08	B011023000	曲軸油封蓋	CRANKSHAFT OIL SEAL COVER	1	20	B020123800010	汽缸前座	SUCTION CHAMBER	1

零件表PARTS LIST WS-2024F1 / WS-2030F1

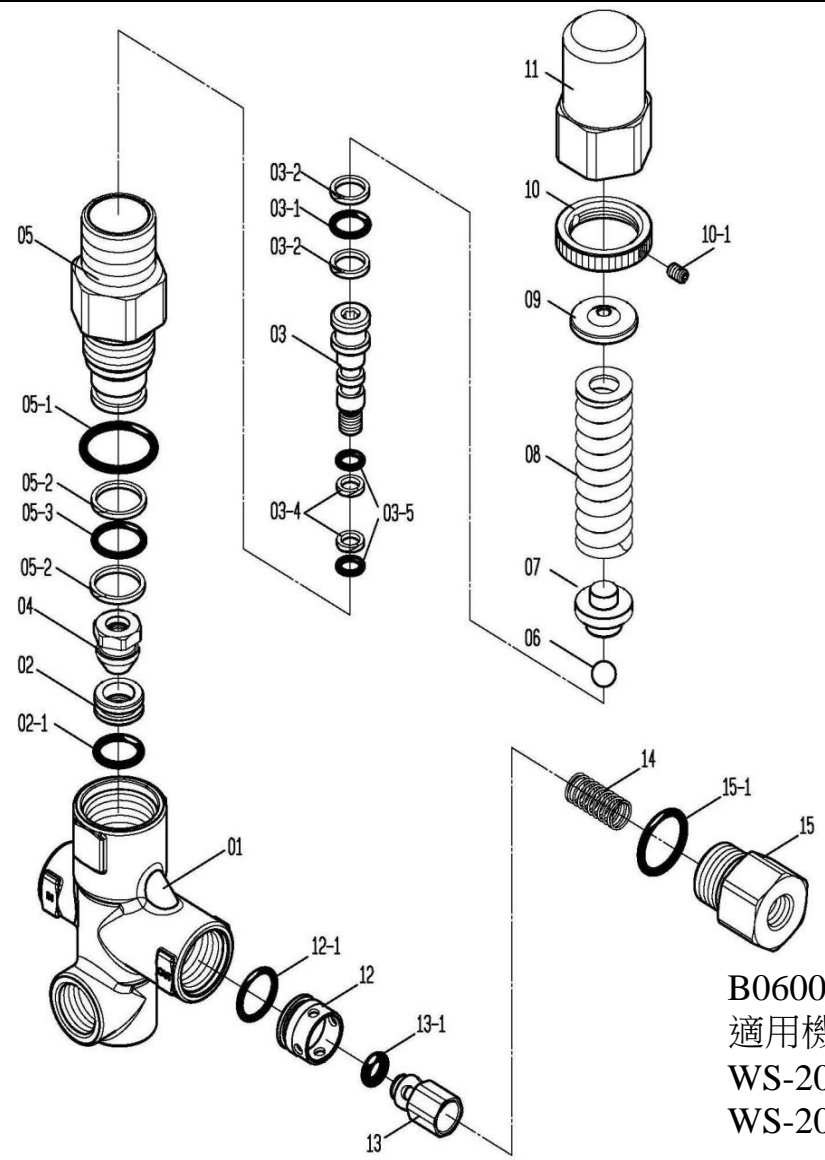
圖號 NO.	編號 CODE	名 稱	DESCRIPTION	Q'TY	
20-1	BS16210035300	內六角螺絲	HEX SCREW	6	
20-2	BS32210300	彈簧華司	SPRING WASHER	6	
21	BS16208110300	內六角螺絲	HEX SCREW	4	
21-1	BS32208300	彈簧華司	SPRING WASHER	4	
22	B011623002	曲軸箱後蓋	REAR COVER	1	
22-1	BG11012106500	O形環	REAR COVER PACKING	1	
23	B012201020	油鏡	OIL WINDOW	1	
23-1	BG10234028700	O形環	O-RING	1	
24	B011823000	排油螺絲	DRAINAGE SCREW	1	
24-1	BG10130019	O形環	O-RING	1	
25	BS16206016300	內六角螺絲	HEX SCREW	5	
25-1	BS32206300	彈簧華司	SPRING WASHER	5	
26	BS50016060	內六角塞頭 PT1/2	PLUG PT1/2	1	
27	B031210001	壓力錶接頭	PRESSURE GAUGE COUPLING	1	
28	B071818010	進水接頭	INLET CONNECTOR	1	
29	B010307010	腳座	CRANKCASE STAND	2	
29-1	BS11210015300	六角螺絲	SET BOLT	4	
29-2	BS32210300	彈簧華司	SPRING WASHER	4	
30	B060619321	雙外牙接頭	CONNECTOR	1	
*31	B060019321	安全弁	SAFETY VALVE ASSY	1	
32	B062819310	迴水接頭	OVERFLOW COUPLING	1	
33	B062719311	安全弁止水塞頭	SAFETY VALVE PLUG	1	
33-1	BG10138018620	O形環	O-RING	1	
34	B031110035	壓力錶	PRESSURE GAUGE	1	
*31零件表及展開圖請參閱第4頁。			*31 parts list & diagram please refer to page 4.		
			2023.06V		



零件表PARTS LIST 安全弁 B060019321 / SAFETY VALVE ASSEMBLY B060019321

圖號 NO.	編號 CODE	名稱	DESCRIPTION	Q'TY	圖號 NO.	編號 CODE	名稱	DESCRIPTION	Q'TY
01	B060119310	安全弁本體	SAFETY VALVE BODY	1	15-1	BG10198024640	O形環	O-RING	1
02	B060919312	壓力閥座	PRESSURE VALVE SEAT	1					
02-1	BG10140018540	O形環	O-RING	1					
03	B061019310	壓力閥桿	PRESSURE VALVE ROD	1					
03-1	BG10108014640	O形環	O-RING	1					
03-2	BG30111014300	背托環	BACK-UP RING	2					
03-4	BG30070010010	背托環	BACK-UP RING	2					
03-5	BG10068010640	O形環	O-RING	2					
04	B060819310	海水壓力閥	SEAWATER PRESSURE VALVE	1					
05	B062319310	安全弁接頭	SAFETY VALVE COUPLING	1					
05-1	BG10235028500	O形環	O-RING	1					
05-2	BG30168020010	背托環	BACK-UP RING	2					
05-3	BG10160020040	O形環	O-RING	1					
06	B310115110	鋼珠	SST BALL	1					
07	B061419310	彈簧下座	SPRING SEAT	1					
08	BJ41901310	調壓彈簧	PRESSURE REGULATING SPRING	1					
09	B071311000	彈簧上座	SPRING SEAT (UPPER)	1					
10	B062519310	固定環	SET RING	1					
10-1	BS17106005300	無頭內六角螺絲	HEX SCREW	2					
11	B062419310	調壓螺帽	PRESSURE REGULATING KNOB	1					
12	B062619316	出水閥套	VALVE SLEEVE	1					
12-1	BG10160020040	O形環	O-RING	1					
13	B062619326	出水閥座套	VALVE SEAT SLEEVE	1					
13-1	BG10065012140	O形環	O-RING	1					
14	BJ71901315	止水彈簧	SPRING	1					
15	B060619316	出水接頭	OUTLET CONNECTOR	1					

2023.07V



B060019321
適用機型:
WS-2024F1
WS-2030F1