

WS-2024F1
 WS-2030F1

零件表PARTS LIST WS-2024F1 / WS-2030F1

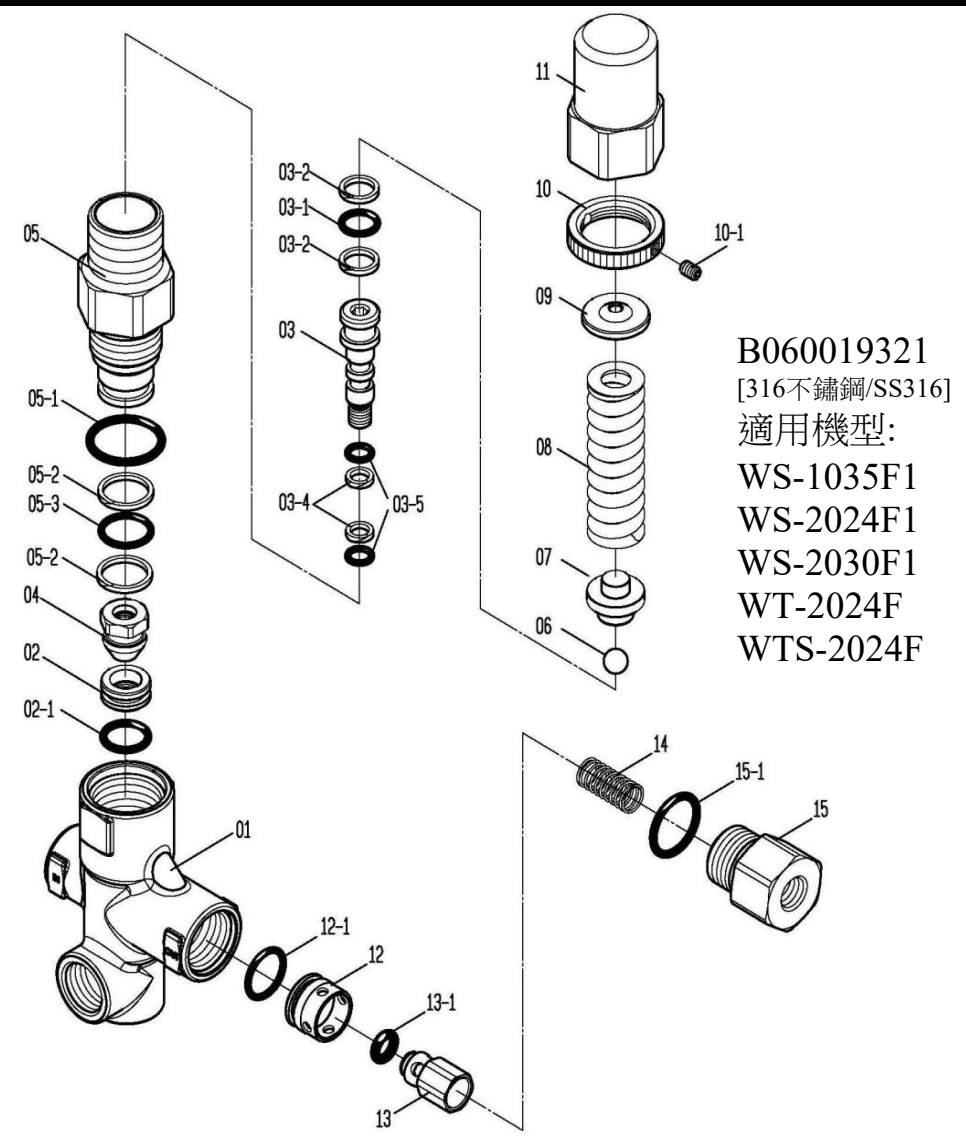
圖號 NO.	編號 CODE	名稱	DESCRIPTION	Q'TY	圖號 NO.	編號 CODE	名稱	DESCRIPTION	Q'TY
01	B010123002	曲軸箱(藍)	CRANKCASE (BLUE)	1	07	B010910040	曲軸油封	CRANKSHAFT OIL SEAL	1
	B010123005	曲軸箱(黑)	CRANKCASE (BLACK)		07-1	B010923100	全密曲軸油封	END COVER OIL SEAL	1
01-2	B011901014	加油蓋組	OIL INLET COVER ASSY	1	08	B011023000	曲軸油封蓋	CRANKSHAFT OIL SEAL COVER	1
02	B010210000	柱塞油封	PISTON OIL SEAL	3	08-1	B011023100	全密曲軸油封蓋	END COVER OIL SEAL COVER	1
03	B010823200	曲軸 WS-2024F1	CRANKSHAFT WS-2024F1	1	09	BS16206016300	內六角螺絲	HEX SCREW	8
	B010823400	曲軸 WS-2030F1	CRANKSHAFT WS-2030F1		10	B021110115	迫緊上環 [316不鏽鋼]	PACKING UPPER RING [SS 316]	3
03-1	B012109000	曲軸鍵	CRANKSHAFT KEY	1		B021110116	迫緊上環[雙相鋼]	PACKING UPPER RING [DUPLEX 2205]	
04A	B010623001	連桿組	CONNECTING ROD ASSY	3	10-1	B021010212	防水油封	WATERPROOF OIL SEAL	3
04	N/A	連桿	CONNECTING ROD	3	10-2	B020210114	防水油封底座	WATERPROOF OIL SEAL SEAT	3
04-1	BS11206030500	六角螺絲	SET BOLT	6	10-3	BG10314035040	O形環	O-RING	3
04-2	BS31206501	平面華司	WASHER	6	10-4	B021210115	迫緊中間環 [316不鏽鋼]	SPACER RING [SS 316]	3
04-3	B014311000	螺絲防鬆片	LOCK WASHER	3		B021210116	迫緊中間環[雙相鋼]	SPACER RING [DUPLEX 2205]	
04A-1	B010523000	柱塞銷	PISTON PIN	3	11	B020310210	U迫緊	U-PACKING	3
05-3	B013223811	柱塞套	CERAMIC PISTON SLEEVE	3	11-1	B020310220	U迫緊墊片	U-PACKING GASKET	3
05-4	B013511110	柱塞套透氣墊圈	GASKET	3	11-2	B020310230	U迫緊底座	U-PACKING SEAT	3
05-5	B013510020	柱塞套平墊圈	GASKET	3	12	B031423800010	汽缸後座 [316不鏽鋼]	CYLINDER [SS 316]	1
05-6	B013123002	柱塞桿	PISTON ROD	3		B031423803000	汽缸後座 [雙相鋼]	CYLINDER [DUPLEX 2205]	
05A	B015223001	柱塞螺絲組[316不鏽鋼]	PISTON SCREW ASSY [SS 316]	3	12-1	BS16208050300	內六角螺絲	HEX SCREW	4
	B015223002	柱塞螺絲組[雙相鋼]	PISTON SCREW ASSY [DUPLEX 2205]		13	BG10220027011	O形環	O-RING	3
05-7	B013410020	柱塞套固定螺帽[316不鏽鋼]	PISTON SET NUT [SS 316]	3	15	B021323800	出水活門固定座[316不鏽鋼]	OUTLET VALVE SEAT [SS 316]	3
	B013410022	柱塞套固定螺帽[雙相鋼]	PISTON SET NUT [DUPLEX 2205]			B021323820	出水活門固定座[雙相鋼]	OUTLET VALVE SEAT [DUPLEX 2205]	
05-8	B013510002	柱塞套平墊圈	GASKET	3	16/16-1	BG10200025010	O形環	O-RING	6/3
05-9	BG10050009060	O形環	O-RING	6	17A	B040008033	活門組 [316不鏽鋼]	VALVE ASSY [SS 316]	6
05-10	BG30053008200	背托環	BACK-UP RING	3		B040008034	活門組 [雙相鋼]	VALVE ASSY [DUPLEX 2205]	
05-11	B013323010	柱塞套固定螺絲	PISTON SCREW	3	17-1	B040223800	活門座 [316不鏽鋼]	VALVE SEAT [SS 316]	6
06	B010710000	軸承	BEARING	2		B040223802	活門座 [雙相鋼]	VALVE SEAT [DUPLEX 2205]	

零件表PARTS LIST WS-2024F1 / WS-2030F1

圖號 NO.	編號 CODE	名稱	DESCRIPTION	Q'TY	圖號 NO.	編號 CODE	名稱	DESCRIPTION	Q'TY
17-2	B040123800	活門塞 [316不鏽鋼]	VALVE PLUG [SS 316]	6	27	B031210001	壓力錶接頭	PRESSURE GAUGE COUPLING	1
	B040123802	活門塞 [雙相鋼]	VALVE PLUG [DUPLEX 2205]		28	B071818010	進水接頭	INLET CONNECTOR	1
17-3	BJ20202010	活門彈簧 [316不鏽鋼]	VALVE SPRING [SS 316]	6	29	B010307010	腳座	CRANKCASE STAND	2
	BJ20202011	活門彈簧 [雙相鋼]	VALVE SPRING [DUPLEX 2205]		29-1	BS11210015300	六角螺絲	SET BOLT	4
17-4	B040313000	活門帽	VALVE CAGE	6	29-2	BS32210300	彈簧華司	SPRING WASHER	4
17-5	B040813001	活門套	VALVE CAGE	6	30	B060619321	雙外牙接頭	CONNECTOR	1
18	BG10210026010	O形環	O-RING	3	31	B060019321	安全弁 [316不鏽鋼]	SAFETY VALVE ASSY [SS 316]	1
18-1	BG30217026	背托環	BACK-UP RING	3		B060019322	安全弁 [雙相鋼]	SAFETY VALVE ASSY [DUPLEX 2205]	
19	B021323801	進水活門固定座 [316不鏽鋼]	INLET VALVE SEAT [SS 316]	3	32	B062819310	迴水接頭	OVERFLOW COUPLING	1
	B021323821	進水活門固定座 [雙相鋼]	INLET VALVE SEAT [DUPLEX 2205]	3	33	B062719311	安全弁止水塞頭	SAFETY VALVE PLUG	1
20	B020123800010	汽缸前座[316不鏽鋼]	SUCTION CHAMBER [SS 316]	1	33-1	BG10138018620	O形環	O-RING	1
	B020123802	汽缸前座[雙相鋼]	SUCTION CHAMBER [DUPLEX 2205]		34	B031110035	壓力錶	PRESSURE GAUGE	1
20-1	BS16210035300	內六角螺絲	HEX SCREW	6					
20-2	BS32210300	彈簧華司	SPRING WASHER	6					
21	BS16208110300	內六角螺絲	HEX SCREW	4					
21-1	BS32208300	彈簧華司	SPRING WASHER	4					
22	B011623002	曲軸箱後蓋 (藍)	REAR COVER (BLUE)	1					
	B011623005	曲軸箱後蓋 (黑)	REAR COVER (BLACK)						
22-1	BG11012106500	O形環	REAR COVER PACKING	1					
23	B012201020	油鏡	OIL WINDOW	1					
23-1	BG10234028700	O形環	O-RING	1					
24	B011823000	排油螺絲	DRAINAGE SCREW	1					
24-1	BG10130019	O形環	O-RING	1					
25	BS16206016300	內六角螺絲	HEX SCREW	5					
25-1	BS32206300	彈簧華司	SPRING WASHER	5					
26	BS50016060	內六角塞頭 PT1/2	PLUG PT1/2	1					
								2026.07V	
									*31 [316不鏽鋼]零件表及展開圖請參閱第4頁。
									*31 [SS 316] parts list & diagram please refer to page 4.
									*31 [雙相鋼]零件表及展開圖請參閱第5頁。
									*31 [DUPLEX 2205] parts list & diagram please refer to page 5.

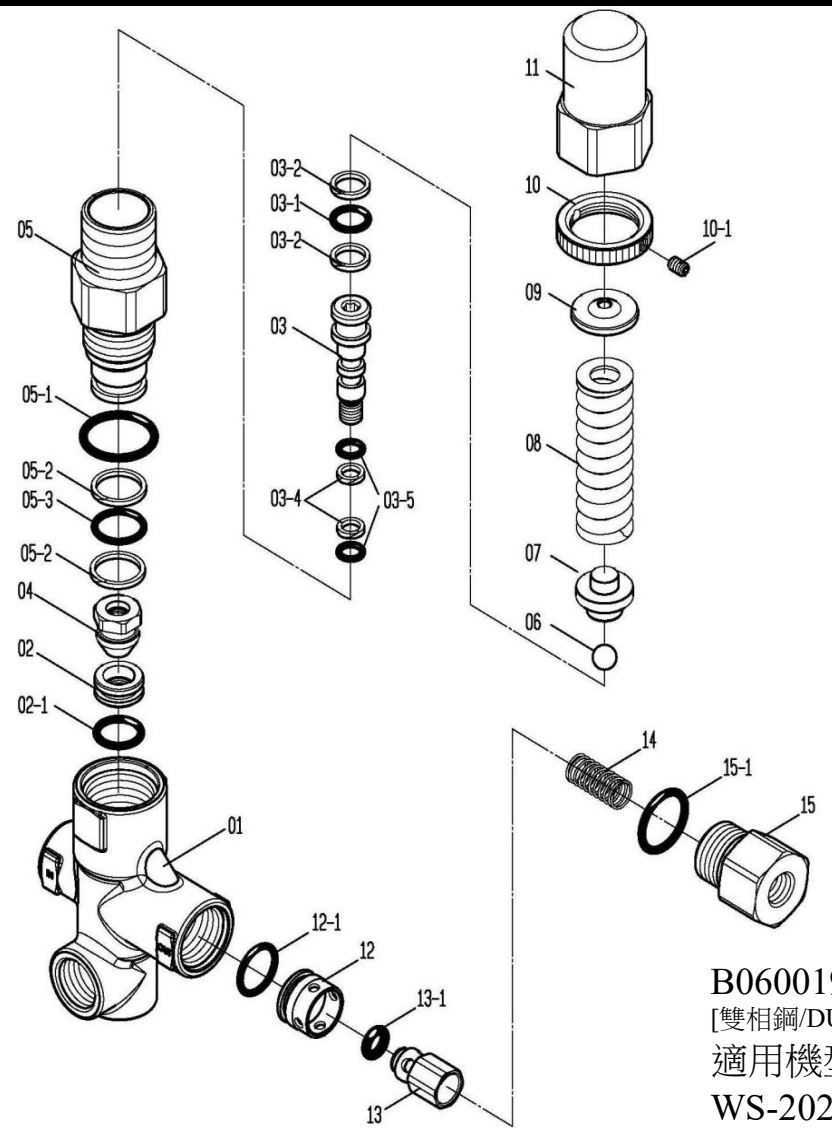
零件表PARTS LIST 安全弁[316不鏽鋼] B060019321 / SAFETY VALVE ASSEMBLY [SUS316] B060019321

圖號 NO.	編號 CODE	名稱	DESCRIPTION	Q'TY	圖號 NO.	編號 CODE	名稱	DESCRIPTION	Q'TY
01	B060119310	安全弁本體	SAFETY VALVE BODY	1	15-1	BG10198024640	O形環	O-RING	1
02	B060919312	壓力閥座	PRESSURE VALVE SEAT	1					
02-1	BG10140018540	O形環	O-RING	1					2026.07V
03	B061019310	壓力閥桿	PRESSURE VALVE ROD	1					
03-1	BG10108014640	O形環	O-RING	1					
03-2	BG30111014300	背托環	BACK-UP RING	2					
03-4	BG30070010010	背托環	BACK-UP RING	2					
03-5	BG10068010640	O形環	O-RING	2					
04	B060819310	壓力閥	PRESSURE VALVE	1					
05	B062319310	安全弁接頭	SAFETY VALVE COUPLING	1					
05-1	BG10234028740	O形環	O-RING	1					
05-2	BG30168020010	背托環	BACK-UP RING	2					
05-3	BG10160020040	O形環	O-RING	1					
06	B310115110	鋼珠	SST BALL	1					
07	B061419310	彈簧下座	SPRING SEAT	1					
08	BJ41901310	調壓彈簧	PRESSURE REGULATING SPRING	1					
09	B071311000	彈簧上座	SPRING SEAT (UPPER)	1					
10	B062519310	固定環	SET RING	1					
10-1	BS17106005300	無頭內六角螺絲	HEX SCREW	2					
11	B062419310	調壓螺帽	PRESSURE REGULATING KNOB	1					
12	B062619316	出水閥套	VALVE SLEEVE	1					
12-1	BG10160020040	O形環	O-RING	1					
13	B062619326	出水閥座套	VALVE SEAT SLEEVE	1					
13-1	BG10065012140	O形環	O-RING	1					
14	BJ71901315	止水彈簧	SPRING	1					
15	B060619316	出水接頭	OUTLET CONNECTOR	1					



零件表PARTS LIST 安全弁[雙相鋼] B060019322 / SAFETY VALVE ASSEMBLY [DUPLEX 2205] B060019322

圖號 NO.	編號 CODE	名稱	DESCRIPTION	Q'TY	圖號 NO.	編號 CODE	名稱	DESCRIPTION	Q'TY
01	B060119311	安全弁本體	SAFETY VALVE BODY	1	15-1	BG10198024640	O形環	O-RING	1
02	B060919313	壓力閥座	PRESSURE VALVE SEAT	1					
02-1	BG10140018540	O形環	O-RING	1					2026.07V
03	B061019313	壓力閥桿	PRESSURE VALVE ROD	1					
03-1	BG10108014640	O形環	O-RING	1					
03-2	BG30111014300	背托環	BACK-UP RING	2					
03-4	BG30070010010	背托環	BACK-UP RING	2					
03-5	BG10068010640	O形環	O-RING	2					
04	B060819315	壓力閥	PRESSURE VALVE	1					
05	B062319312	安全弁接頭	SAFETY VALVE COUPLING	1					
05-1	BG10234028740	O形環	O-RING	1					
05-2	BG30168020010	背托環	BACK-UP RING	2					
05-3	BG10160020040	O形環	O-RING	1					
06	B310115110	鋼珠	SST BALL	1					
07	B061419310	彈簧下座	SPRING SEAT	1					
08	BJ41901310	調壓彈簧	PRESSURE REGULATING SPRING	1					
09	B071311000	彈簧上座	SPRING SEAT (UPPER)	1					
10	B062519310	固定環	SET RING	1					
10-1	BS17106005300	無頭內六角螺絲	HEX SCREW	2					
11	B062419310	調壓螺帽	PRESSURE REGULATING KNOB	1					
12	B062619316	出水閥套	VALVE SLEEVE	1					
12-1	BG10160020040	O形環	O-RING	1					
13	B062619326	出水閥座套	VALVE SEAT SLEEVE	1					
13-1	BG10065012140	O形環	O-RING	1					
14	BJ71901315	止水彈簧	SPRING	1					
15	B060619312	出水接頭	OUTLET CONNECTOR	1					



B060019322
 [雙相鋼/DUPLEX 2205]
 適用機型:
 WS-2024F1
 WS-2030F1