

零件表PARTS LIST WS-3000DT

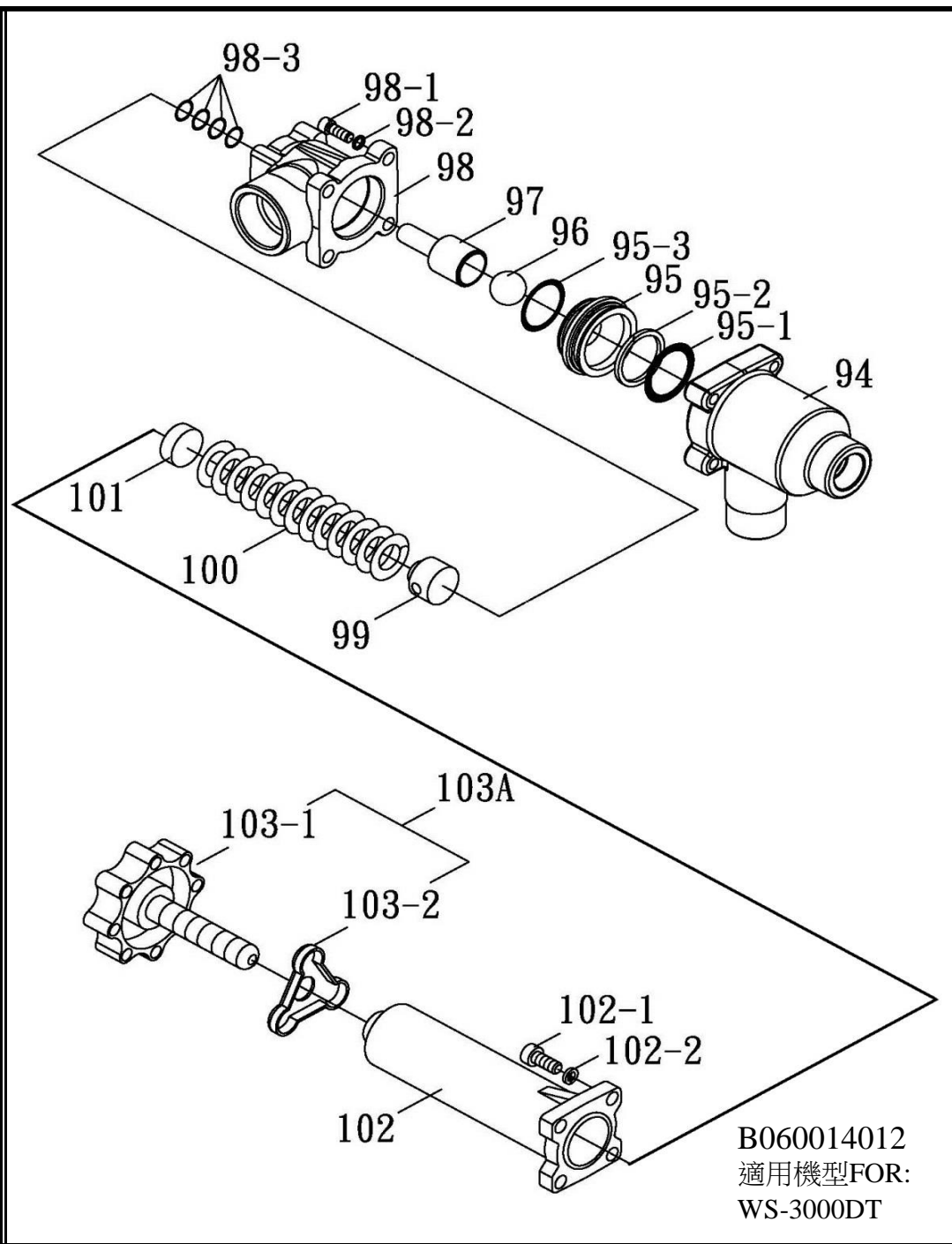
圖號 NO.	編號 CODE	名稱	DESCRIPTION	Q'TY	圖號 NO.	編號 CODE	名稱	DESCRIPTION	Q'TY
01	B010105010	曲軸箱	CRANKCASE	1	06-3	BS32110500	彈簧華司	SPRING WASHER	6
01-3	B130166215	壓力固定銷	PRESSURE PIN	2	06-4	BS31208503	平面華司	WASHER	6
02	B010205000	柱塞油封	PISTON OIL SEAL	3	07	B010505001	柱塞銷	PISTON PIN	3
03	B010305000	腳座	CRANKCASE STAND	2	08	B011005000	軸承油封蓋	OIL SEAL COVER	2
03-1	BS16212070500	內六角螺絲	HEX SCREW	2	09	B010905000	曲軸油封	CRANKSHAFT OIL SEAL	2
03-2	BS21212400	六角螺帽	NUT	2	10	B010705000	軸承	BEARING	2
03-3	B012805000	腳套	SLIDE BASE	2	11	BG11244130620	O形環	O-RING	4
03-4	BS11214050200	六角螺絲	SET BOLT	4	12	B010806010	曲軸	CRANKSHAFT	1
03-5	BS32214300	彈簧華司	SPRING WASHER	4	12-1	B012105000	曲軸鍵	CRANKSHAFT KEY	1
03-6	BS31214200	平面華司	WASHER	4	13	BS11210020300	六角螺絲	SET BOLT	8
03-7	BS31212201	平面華司	WASHER	2	13-1	BS32210300	彈簧華司	SPRING WASHER	8
04	BS15214060300	雙頭牙螺絲	DOUBLE-END SCREW	4	14	B011605010	曲軸箱後蓋	REAR COVER	1
04-1	BS32214300	彈簧華司	SPRING WASHER	8	15	B012201020	油鏡	OIL WINDOW	1
04-2	BS21214300	六角螺帽	NUT	8	15-1	BG10234028700	O形環	O-RING	1
04-3	BS15214068300	雙頭牙螺絲	DOUBLE-END SCREW	4	16	B012705000	擋油片	DAMPER PLATE	1
05	B013005002	柱塞組	PISTON ASSY	3	16-1	BS12205006200	大扁頭螺絲	SCREW	1
05-1	B013105001	柱塞桿	PISTON ROD	3	17	B011705000	後蓋迫緊	REAR COVER PACKING	1
05-2	B013205000	柱塞套	CERAMIC PISTON SLEEVE	3	18	BS14206020300	圓頭螺絲	SCREW	14
05-3	B013405001	柱塞套固定螺帽	PISTON NUT	3	18-1	BS32206300	彈簧華司	SPRING WASHER	14
05-3B	BG30253029	背托環	BACK-UP RING	3	19	B011805000	排油螺絲	DRAINAGE SCREW	2
05-4	BG10219027100	O形環	O-RING	3	19-1	BG10170022010	O形環	O-RING	2
05-5	B013305000	柱塞套固定螺絲	PISTON SCREW	3	21	B020106220	汽缸	CYLINDER	1
06A	B010605002	連桿組	CONNECTING ROD ASSY	3	22	BJ60501010	V迫緊彈簧	SPRING	3
06	N/A	連桿	CONNECTING ROD	3	23	B020206000	V迫緊底座	V-PACKING SEAT	3
06-1	B014105000	連桿軸套	CONNECTING ROD SLEEVE	6	24	B020305010	V迫緊(布皮氟素)	V-PACKING F.P.M (FABRIC)	3
06-2	BS11208040500	六角螺絲	SET BOLT	6	24-1	B020306000	V迫緊(鐵氟龍)	V-PACKING TPF	6

零件表PARTS LIST WS-3000DT

圖號 NO.	編號 CODE	名稱	DESCRIPTION	Q'TY	圖號 NO.	編號 CODE	名稱	DESCRIPTION	Q'TY
25	B020506000	調整環	ADJUSTING RING	3	41	B031106000	壓力錶	PRESSURE GAUGE	1
26	B021005000	防水油封	WATERPROOF OIL SEAL	3	41-1	B031206000	三通接頭	CONNECTOR	1
27	BG10636068420	O形環	O-RING	3	41-2	B100519050	圓內塞頭 1/4"	PLUG 1/4"	1
28	B022005001	油封固定片	OIL SEAL SET PLATE	1	*50	B060014012	自動洩壓總成	UNLOADING VALE ASSY	1
29	BS16210020300	內六角螺絲	HEX SCREW	10	64	B032406000	空氣室接頭	AIR CHAMBER COUPLING	1
30	BS16208020300	內六角螺絲	HEX SCREW	2	64-1	BK31502022	大小內外接頭	COUPLING	1
31	B011205010	柱塞中間皮	WATERPROOF RING	3	65	B030463010	氮氣式空氣室	AIR CHAMBER	1
32	BS15212062300	雙頭牙螺絲	DOUBLE-END SCREW	8	66	B011905000	加油蓋	OIL INLET COVER	1
32-1	BS32212300	彈簧華司	SPRING WASHER	10	66-1	B012005000	加油蓋墊片	GASKET	1
32-2	BS21212300	六角螺帽	NUT	10	67	BS50008050	內六角油塞：PT1/4	PLUG PT1/4	3
33	BS15212091300	雙頭牙螺絲	DOUBLE-END SCREW	2	68	B011105000	曲軸蓋	CRANKSHAFT COVER	1
34	B040006012	球型活門組	VALVE ASSY	6	69	BS14206012300	圓頭螺絲	SCREW	4
34-1	B040305000	活門帽	VALVE CAGE	6	69-1	BS32206300	彈簧華司	SPRING WASHER	4
34-3	BJ20501011	球型活門彈簧	VALVE SPRING	6	93	B013805000	皮帶輪固定環	SET RING	1
34-4	B040105010	球型活門塞	VALVE PLUG	6					
34-5	B040205001	活門座	VALVE SEAT	6					
34-6	B040506010	球型活門塞座	VALVE PLUG BASE	6					
34-7	B040405000	活門布皮	VALVE PACKING	6					
35	B031406220	進水室	SUCTION CHAMBER	1					
36	BS15212153300	雙頭牙螺絲	DOUBLE-END SCREW	2					
37	BS15212089300	雙頭牙螺絲	DOUBLE-END SCREW	4					
37-1	BS32212300	彈簧華司	SPRING WASHER	6					
37-2	BS21212300	六角螺帽	NUT	6					
39	B030206220	出水室	OUTLET CHAMBER	1					
40	B031606000	球閥	BALL VALVE	1	*50零件表及展開圖請參閱第4頁。			*50 parts list & diagram please refer to page 4.	
40-1	B031806000	球閥接頭	BALL VALVE COUPLING	1					

零件表PARTS LIST 自動洩壓總成 B060014012 / UNLOADING VALVE ASSEMBLY

圖號 NO.	編號 CODE	名稱	DESCRIPTION	Q'TY
94	B060314001	洩壓汽缸套	UNLOADING VALVE CYLINDER	1
95	B060914002	壓力閥座	VALVE SEAT	1
95-1	BG10540059040	O形環	O-RING	1
95-2	BG30545057800	背托環	BACK-UP RING	1
95-3	BG10430051040	O形環	O-RING	1
96	B070314010	陶瓷球閥	CERAMIC BALL VALVE	1
97	B061014001	壓力閥桿	VALVE ROD	1
98	B060514001	迴水座	OVERFLOW CHAMBER	1
98-1	BS16210035300	內六角螺絲	HEX SCREW	4
98-2	BS32210300	彈簧華司	SPRING WASHER	4
98-3	BG10135018510	O形環	O-RING	4
99	B061406000	彈簧下座	SPRING SEAT	1
100	BJ40501000	調壓彈簧	PRESSURE REGULATING SPRING	1
101	B061306000	彈簧上座	SPRING SEAT (UPPER)	1
102	B060206000	調壓彈簧套	PRESSURE REGULATING PIPE	1
102-1	BS16208020300	內六角螺絲	HEX SCREW	4
102-2	BS32208300	彈簧華司	SPRING WASHER	4
103A	B062406001	調壓螺絲組	PRESSURE REGULATING KNOB ASSY	1
103-1	B062406000	調壓螺絲	PRESSURE REGULATING KNOB	1
103-2	B053101000	三角鐵片	SET PLATE	1



2021.09V.