

WT-2024F  
WTS-2024F

零件表PARTS LIST WT-2024F / WTS-2024F

圖號 NO.	編號 CODE	名稱	DESCRIPTION	Q'TY	圖號 NO.	編號 CODE	名稱	DESCRIPTION	Q'TY
01	B010123002	曲軸箱	CRANKCASE	1	09	BS16206016300	內六角螺絲	SCREW	8
01-2	B011901014	加油蓋組	OIL INLET COVER ASSY	1	10	B021110120	迫緊上環	PACKING UPPER RING	3
02	B010210011	柱塞油封	PISTON OIL SEAL	3	10A	PS2-2028-U112231	防水油封組	WATERPROOF OIL SEAL SET	3
03	B010823200	曲軸	CRANKSHAFT	1	10-1	B021023810	防水油封	WATERPROOF OIL SEAL	3
03-1	B012109000	曲軸鍵	CRANKSHAFT KEY	1	10-2	B021023811	防水油封底座	WATERPROOF OIL SEAL SEAT	3
04A	B010623001	連桿組	CONNECTING ROD ASSY	3	10-3	BG10314035010	O形環	O-RING	3
04	N/A	連桿	CONNECTING ROD	3	10-4	B021210120	迫緊中間環	U-PACKING SPACER RING	3
04-1	BS11206030500	六角螺絲	SCREW	6	11A	PS1-2030-U112231	U迫緊組	U-PACKING SET	3
04-2	BS31206501	平面華司	WASHER	6	11	B020323810	U迫緊	U-PACKING	3
04-3	B014311000	螺絲防鬆片	LOCK WASHER	3	11-1	B020323811	U迫緊墊片 (黑)	U-PACKING SPACER (BLACK)	3
04A-1	B010523000	柱塞銷	PISTON PIN	3	11-2	B020323812	U迫緊底座 (白)	U-PACKING SEAT (WHITE)	3
05-3	B013223811	柱塞套	CERAMIC PISTON SLEEVE	3	12	B031423800010	汽缸後座 WTS-2024F [316不鏽鋼]	INLET CHAMBER WTS-2024F [SUS 316]	1
05-4	B013511110	柱塞套透氣墊圈	GASKET	3		B031423801	汽缸後座 WT-2024F [銅]	INLET CHAMBER WT-2024F [BRASS]	
05-5	B013510020	柱塞套平墊圈	GASKET	3	12-1	BS16208050300	內六角螺絲	SCREW	4
05-6	B013123002	柱塞桿	PISTON ROD	3	13	BG10220027011	O形環	O-RING	3
05A	B015223001	柱塞螺絲組	PISTON SCREW ASSY	3	15	B021323800	出水活門固定座	OUTLET VALVE SEAT	3
05-7	B013410020	柱塞套固定螺帽	PISTON SET NUT	3	16/16-1	BG10200025010	O形環	O-RING	6/3
05-8	B013510002	柱塞套平墊圈	GASKET	3	17A	B040008033	活門組	VALVE ASSY	6
05-9	BG10050009060	O形環	O-RING	6	17-1	B040223800	活門座	VALVE SEAT	6
05-10	BG30053008200	背托環	BACK-UP RING	3	17-2	B040123800	活門塞	VALVE PLUG	6
05-11	B013323010	柱塞套固定螺絲	PISTON SET SCREW	3	17-3	BJ20202010	活門彈簧	VALVE SPRING	6
06	B010710000	軸承	BEARING	2	17-4	B040313000	活門帽	VALVE CAGE	6
07	B010910100	曲軸油封	CRANKSHAFT OIL SEAL	1	17-5	B040813001	活門套	VALVE CAGE	6
07-1	B010923100	全密曲軸油封	END COVER OIL SEAL	1	18	BG10210026010	O形環	O-RING	3
08	B011023000	曲軸油封蓋	CRANKSHAFT OIL SEAL COVER	1	18-1	BG30217026	背托環	BACK-UP RING	3
08-1	B011023100	全密曲軸油封蓋	END COVER OIL SEAL COVER	1	19	B021323831	進水活門固定座	INLET VALVE VALVE SEAT	3

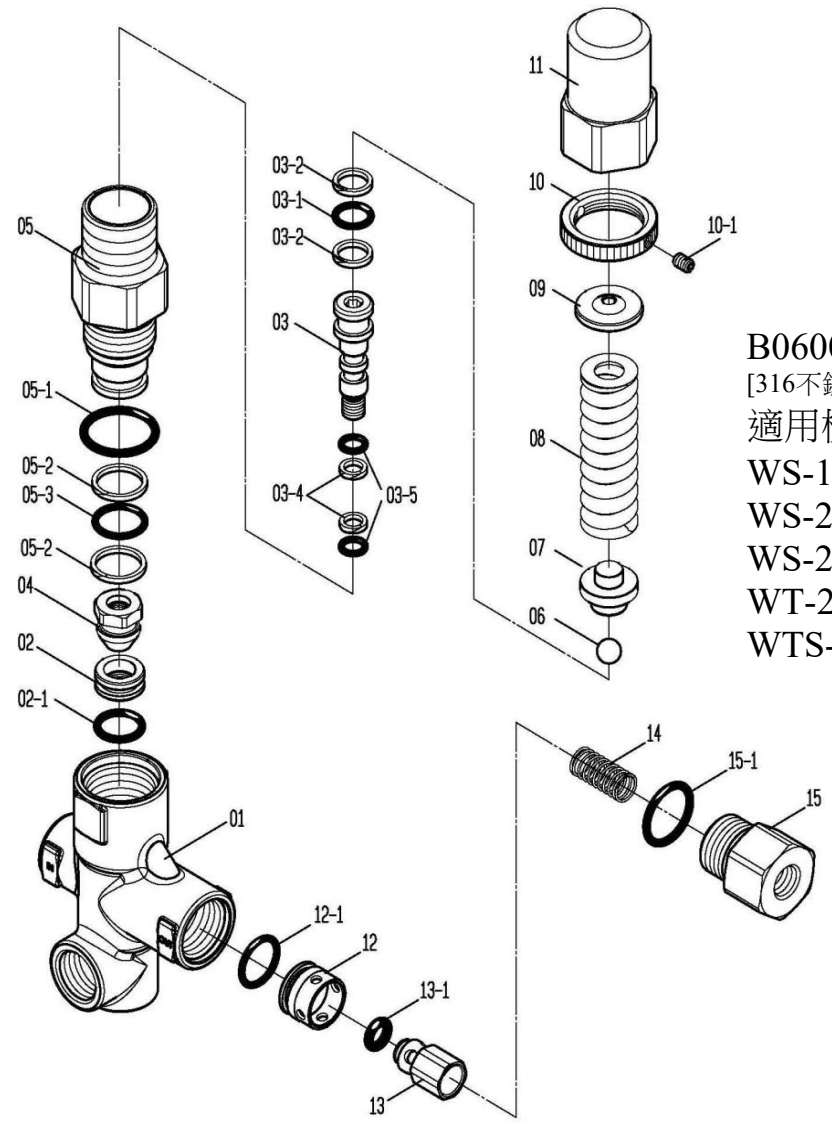
零件表PARTS LIST WT-2024F / WTS-2024F

圖號 NO.	編號 CODE	名稱	DESCRIPTION	Q'TY	圖號 NO.	編號 CODE	名稱	DESCRIPTION	Q'TY
20	B020123800010	汽缸前座 WTS-2024F [316不鏽鋼]	DISCHARGE MANIFOLD [SUS 316]	1					
	B020123801	汽缸前座 WT-2024F [銅]	DISCHARGE MANIFOLD [BRASS]						
20-1	BS16210035300	內六角螺絲	SCREW	6					
20-2	BS32210300	彈簧華司	SPRING WASHER	6					
21	BS16208110300	內六角螺絲	SCREW	4					
21-1	BS32208300	彈簧華司	SPRING WASHER	4					
22	B011623002	曲軸箱後蓋	REAR COVER	1					
22-1	BG11012106500	O形環	O-RING	1					
23	B012201020	油鏡	OIL WINDOW	1					
23-1	BG10234028700	O形環	O-RING	1					
24	B011823000	排油螺絲	DRAINAGE SCREW	1					
24-1	BG10130019	O形環	O-RING	1					
25	BS16206016300	內六角螺絲	SCREW	5					
25-1	BS32206300	彈簧華司	SPRING WASHER	5					
26	BS50016060	內六角塞頭 PT1/2	PLUG PT1/2	1					
27	B031210001	壓力錶接頭	PRESSURE GAUGE CONNECTOR	1					
28	B071818010	進水接頭	INLET CONNECTOR	1					
29	B010307010	腳座	CRANKCASE STAND	2					
29-1	BS11210015300	六角螺絲	SCREW	4					
29-2	BS32210300	彈簧華司	SPRING WASHER	4					
30	B060619321	雙外牙接頭	CONNECTOR	1					
<b>*31</b>	<b>B060019321</b>	<b>安全弁</b>	<b>SAFETY VALVE ASSY</b>	<b>1</b>					
32	B062819310	迴水接頭	OVERFLOW CONNECTOR	1					
33	B062719311	安全弁止水塞頭	SAFETY VALVE PLUG	1					
33-1	BG10138018620	O形環	O-RING	1					
34	B031110035	壓力錶	PRESSURE GAUGE	1	*31零件表及展開圖請參閱第4頁。			*31 parts list & diagram please refer to page 4.	

零件表PARTS LIST 安全弁[316不鏽鋼] B060019321 / SAFETY VALVE ASSEMBLY [SUS316] B060019321

圖號 NO.	編號 CODE	名稱	DESCRIPTION	Q'TY	圖號 NO.	編號 CODE	名稱	DESCRIPTION	Q'TY
01	B060119310	安全弁本體	SAFETY VALVE BODY	1	15-1	BG10198024640	O形環	O-RING	1
02	B060919312	壓力閥座	PRESSURE VALVE SEAT	1					
02-1	BG10140018540	O形環	O-RING	1					
03	B061019310	壓力閥桿	PRESSURE VALVE ROD	1					
03-1	BG10108014640	O形環	O-RING	1					
03-2	BG30111014300	背托環	BACK-UP RING	2					
03-4	BG30070010010	背托環	BACK-UP RING	2					
03-5	BG10068010640	O形環	O-RING	2					
04	B060819310	壓力閥	PRESSURE VALVE	1					
05	B062319310	安全弁接頭	SAFETY VALVE COUPLING	1					
05-1	BG10234028740	O形環	O-RING	1					
05-2	BG30168020010	背托環	BACK-UP RING	2					
05-3	BG10160020040	O形環	O-RING	1					
06	B310115110	鋼珠	SST BALL	1					
07	B061419310	彈簧下座	SPRING SEAT	1					
08	BJ41901310	調壓彈簧	PRESSURE REGULATING SPRING	1					
09	B071311000	彈簧上座	SPRING SEAT (UPPER)	1					
10	B062519310	固定環	SET RING	1					
10-1	BS17106005300	無頭內六角螺絲	HEX SCREW	2					
11	B062419310	調壓螺帽	PRESSURE REGULATING KNOB	1					
12	B062619316	出水閥套	VALVE SLEEVE	1					
12-1	BG10160020040	O形環	O-RING	1					
13	B062619326	出水閥座套	VALVE SEAT SLEEVE	1					
13-1	BG10065012140	O形環	O-RING	1					
14	BJ71901315	止水彈簧	SPRING	1					
15	B060619316	出水接頭	OUTLET CONNECTOR	1					

2026.01V



B060019321  
[316不鏽鋼/SUS316]  
適用機型:  
WS-1035F1  
WS-2024F1  
WS-2030F1  
WT-2024F  
WTS-2024F